

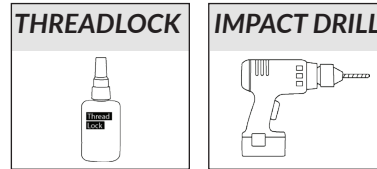
YUKON

1200mm, 1800mm, & 2100mm Bar Frames

PARTS:

LONG RAILS (A) 2pc	SHORT RAILS (B) 2pc	LEFT LEGS (C) 2pc
RIGHT LEGS (D) 2pc	FOOT RAIL (E) 2pc	CENTRE RAIL (F) 1pc
CROSS BRACE (G) 2pc	WASHER (H) 24pc	DOWEL (I) 16pc
WOOD PLUG (K) 10pc	5MM HEX HEAD L60MM (J) 20pc	
	4MM HEX HEAD L20MM (L) 4pc	

TOOLS (NOT INCLUDED):

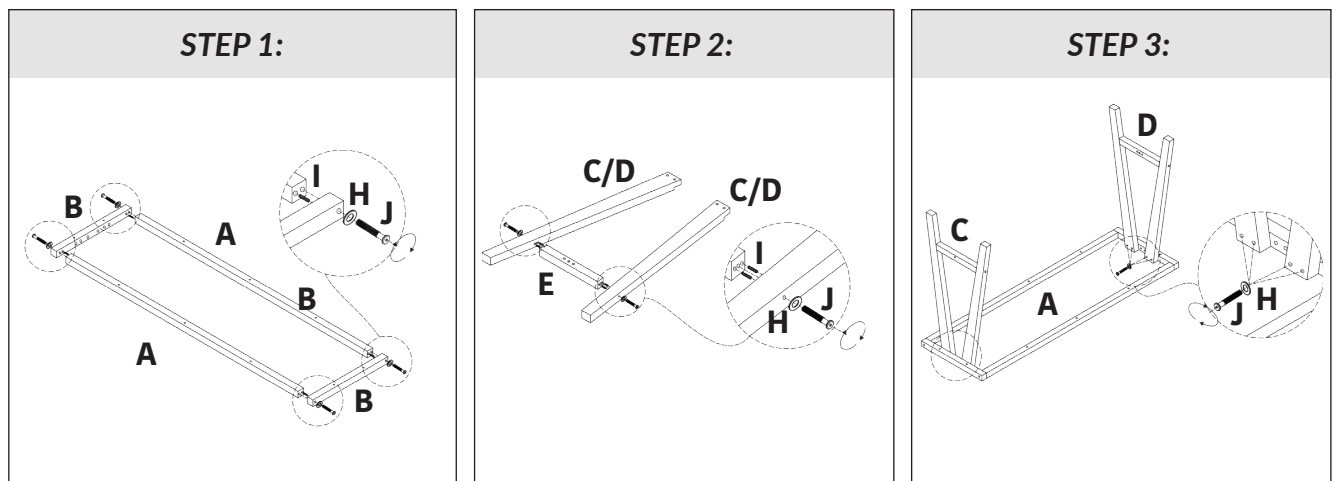


We strongly recommend applying thread lock to the full length of all screws and using an impact drill.

WARNING:

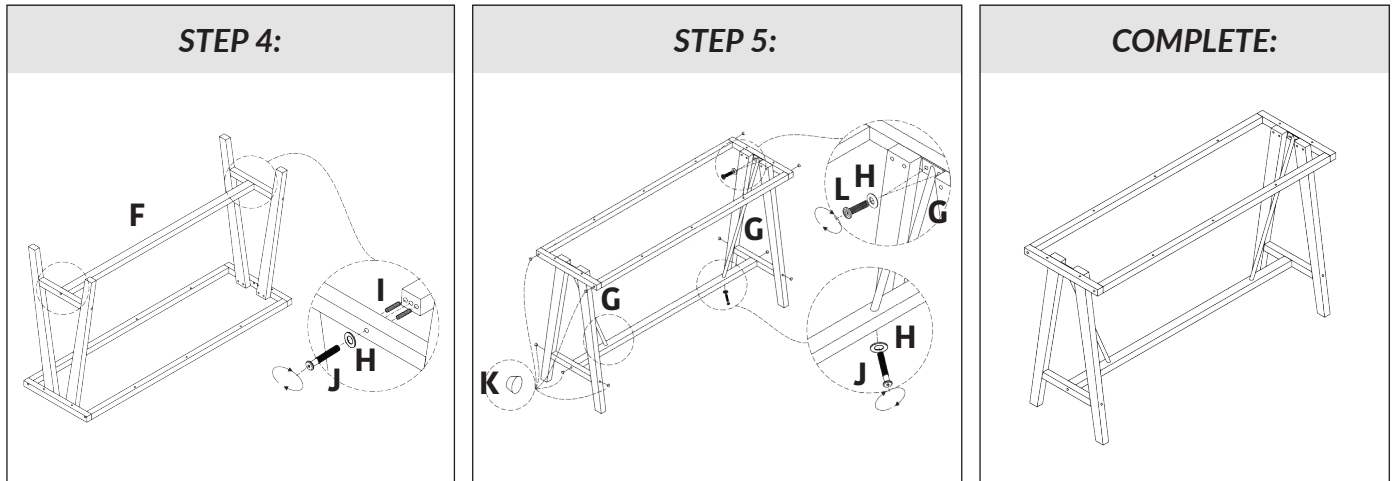
Always take care with an impact drill gun.

INSTRUCTIONS:



1200mm, 1800mm, & 2100mm Bar Frames

INSTRUCTIONS CONTINUED:



ATTACHING THE TOP:

+

